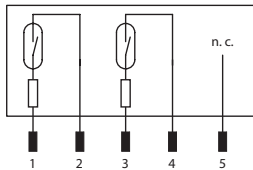


Coded Magnetic Switch Series MAK-53

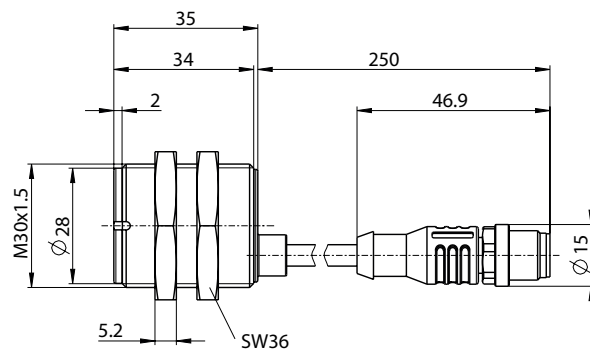
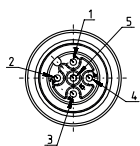
Description **MAK-5326-C-0.25-M12**

Article number **6490653377**

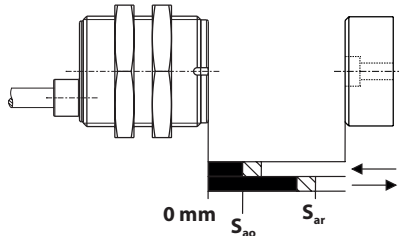
Wiring diagram



Plug



Actuating direction / Operating distance



Technical data	
Switching function	2 x N.O.
Reference magnet	TK-53-CD/2 (6402053088)
Assured operating distance - ON	$S_{ao} \geq 5 \text{ mm}$
Assured operating distance - OFF	$S_{ar} \leq 14 \text{ mm}$
Repeat accuracy	R $\pm 0,1 \text{ mm}$, under same geometrical conditions at the same temperature
Utilization category	DC-12
Frequency of operating cycles	f 1 Hz


Electrical data	
Max. voltage	30 V DC
Max. switching current	0,08 A
Max. switching capacity	0,25 W
Internal series resistors	27 Ω , per channel
Protection class acc. to EN IEC 61558	III (safety extra-low voltage)
Note	Combinations of switching voltage and switching current must not exceed the maximum switching capacity.

Mechanical data	
Enclosure	PBT, black (encapsulated reed contact)
For attachment	2x hexagon nut (PA 6.6, black)
Temperature range	- 5 °C ... + 70 °C (cable not fixed mounted) - 25 °C ... + 70 °C (cable fixed mounted)
Mechanical life	3 x 10 ⁸ operating cycles
Vibration	10 G (10 - 2000 Hz)
Shock	100 G (11 ms, ½ Sinewave)
Protection type	IP 67 acc. to EN 60529 (only in fully snapped-in position with it's plugs)
Degree of pollution	3 acc. to 60947-1
Termination type	Cable 5 x 0,34 mm ² ; PUR - Outer jacket with M12 male connector, 5-pin, A-coding
Assembly position	optional (assembly on ferromagnetic material means reduction of switch distance)

ID for safety engineering	
B10d	20 x 10 ⁶ Zyklen (20 % load) 0,4 x 10 ⁶ Zyklen (nominal load)
Mission time	20 years

Standards	
	DIN EN ISO 13849-1 EN 60947-5-3
Note	The standard EN 60947-5-3 is only complied with by a complete system consisting of coded magnetic switch with associated actuator and a suitable safety safety evaluation system.

EU Conformity	
	acc. to directive 2006/42/EC (Safety-of-Machinery-Directive)

Approvals	
	
	UL Listed, Ind. Cont. Eq. / Class 2 Power source

Notes	
Contact protection must be provided for inductive and capacitive loads.	